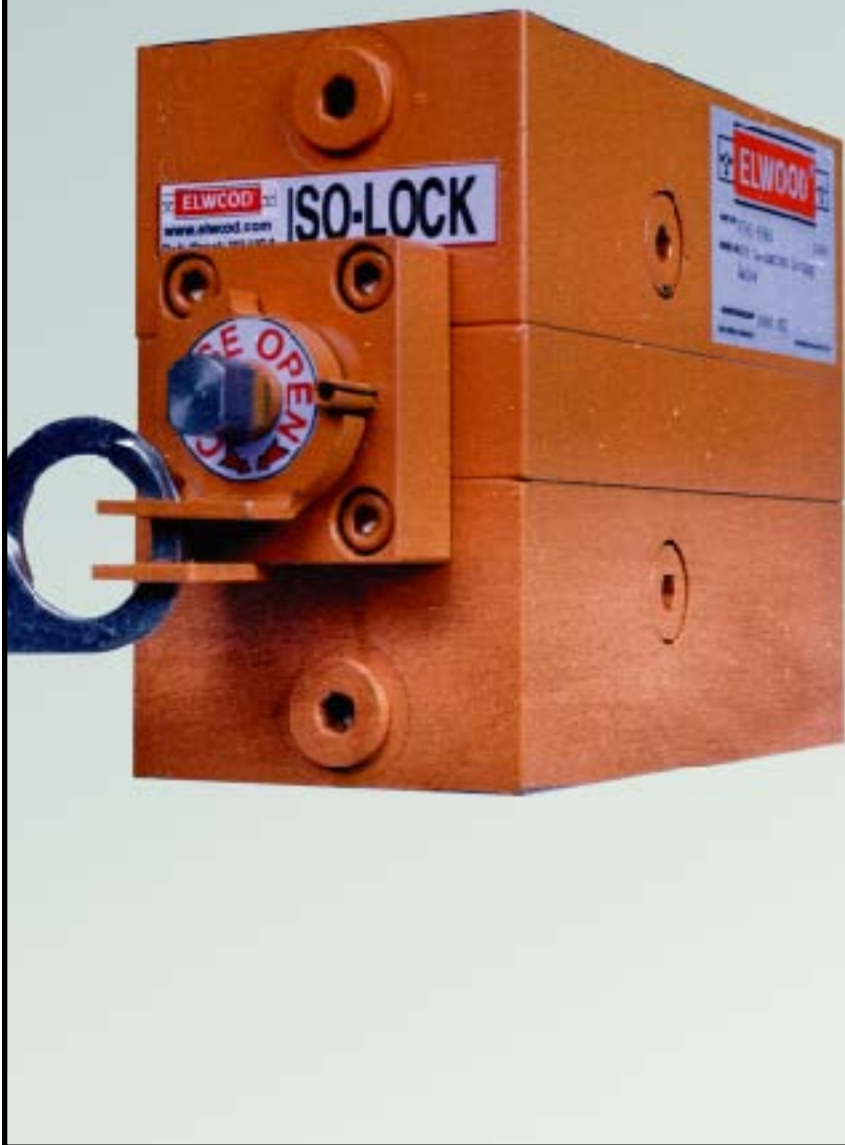


ISO-LOCK

www.elwood.com



ELWOOD[®] FLUID
POWER

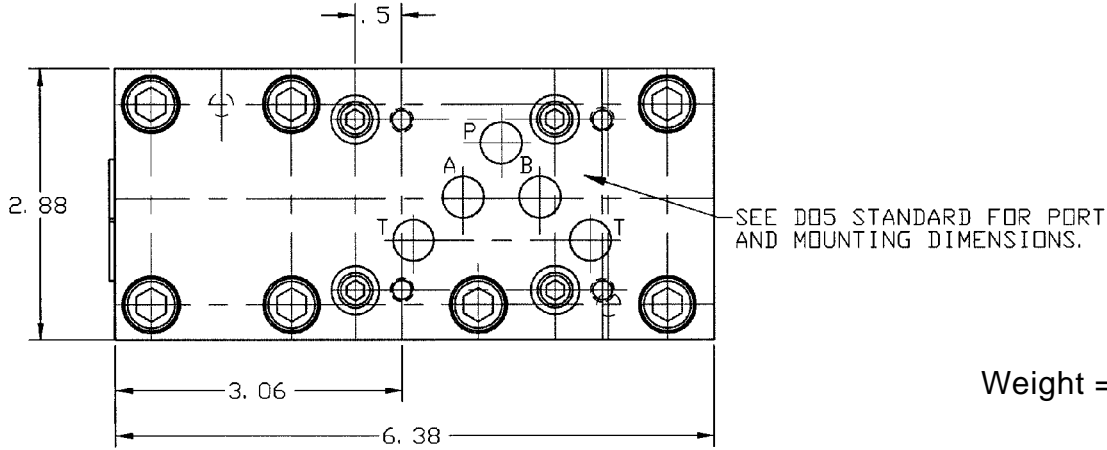
ISO-LOCK



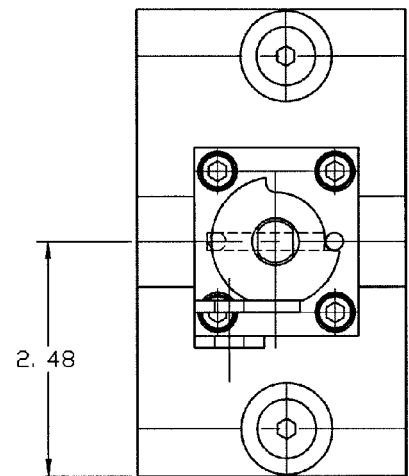
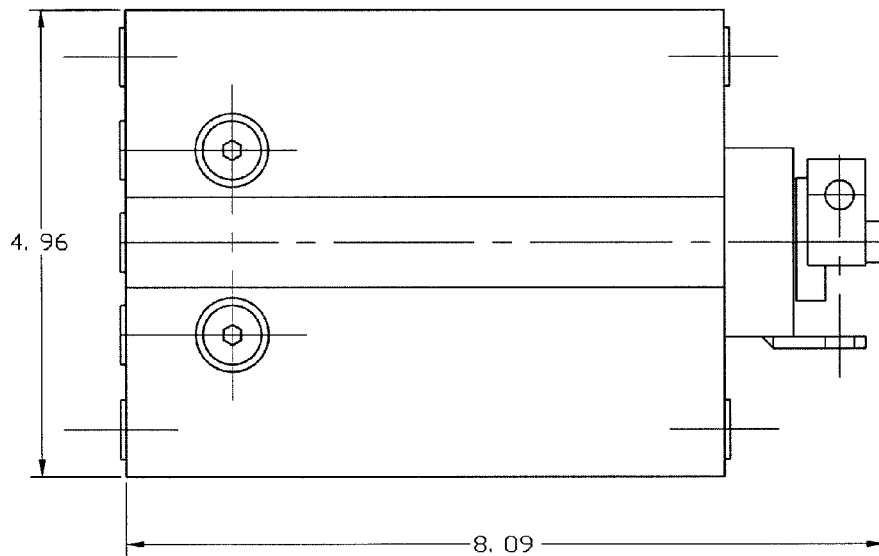
ISO-LOCK Benefits / Features

- * Reduces maintenance downtime and costs
- * Permits easier troubleshooting of circuits
- * Hydraulic fluid does not have to be drained from system, up or downstream
- * Compatible with Water, Water Base Fluids, and Mineral Oil fluids
- * Positive Isolation and Lockout of P, T, A & B ports
- * 6000 PSI pressure rating
- * Bolts independently of directional control valve
- * Can be easily added to existing circuits - sandwich mounted
- * OSHA compliance - Hasp for safety lockout

D05



Weight = 18 lbs.



NOTES:

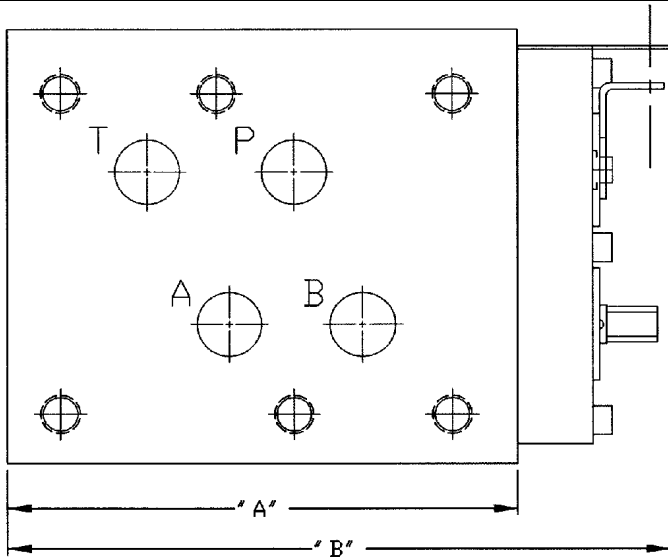
1. Available in carbon steel, stainless steel and carbon steel with Black-T* surface corrosion protection.
2. Carbon steel model has black oxide finish. Stainless steel and Black-T* models are not painted.
3. ISO to Elwood interface included.

*Elwood's "Black-T" surface treatment is as good as 18-8 stainless steel against salt solution spray. Corrosion resistance according to ASTM B117, which is a salt spray test, shows that it is significantly better than hard chrome and electroless nickel.

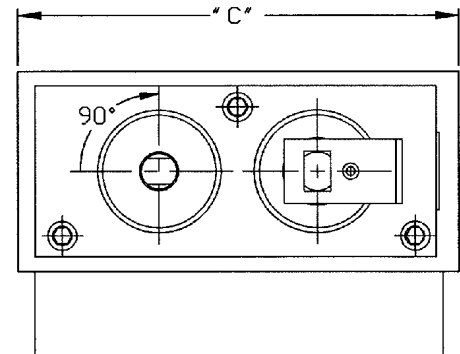
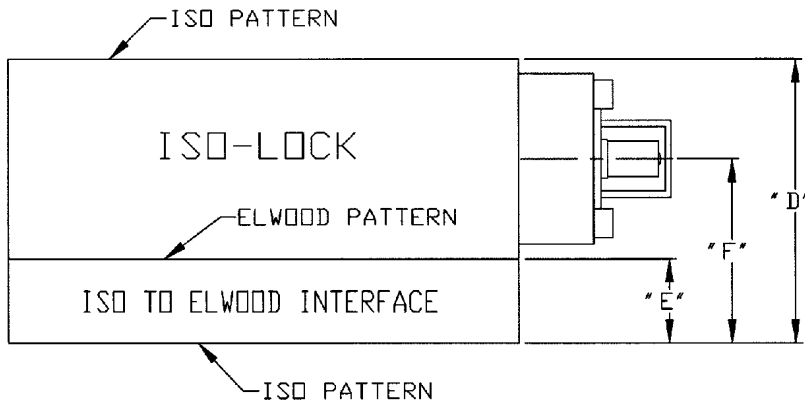
It should be noted that other water characteristics also have an affect on the surface, and it will have a reduced protection level when sulphur-reducing and iron-reducing bacteria exist.

ISO-LOCK permits the removal of the directional control valve without bleeding the P, T, A & B port lines. If work is to be performed on any of the port lines, pressure must be bled from that line beforehand.

D08 & D10



	"A"	"B"	"C"	"D"	"E"	"F"	WEIGHT
D08	7.13	10.08	5.50	4.87	1.38	2.79	51 LBS.
D10	9.75	12.69	8.46	5.50	1.63	3.56	114 LBS.



ORDERING MODEL CODE

ISO - _____ - 6K - _____

D05
D08
D10

*D08/E
*D10/E

BO - Standard Carbon Steel
with Black Oxide Finish
BT - Black-T
SS - Stainless Steel

MOUNTING KITS INCLUDED
(includes seals & bolts)

*Elwood pattern, ISO to Elwood interface not supplied. 1 - Available in 3K and 6K.