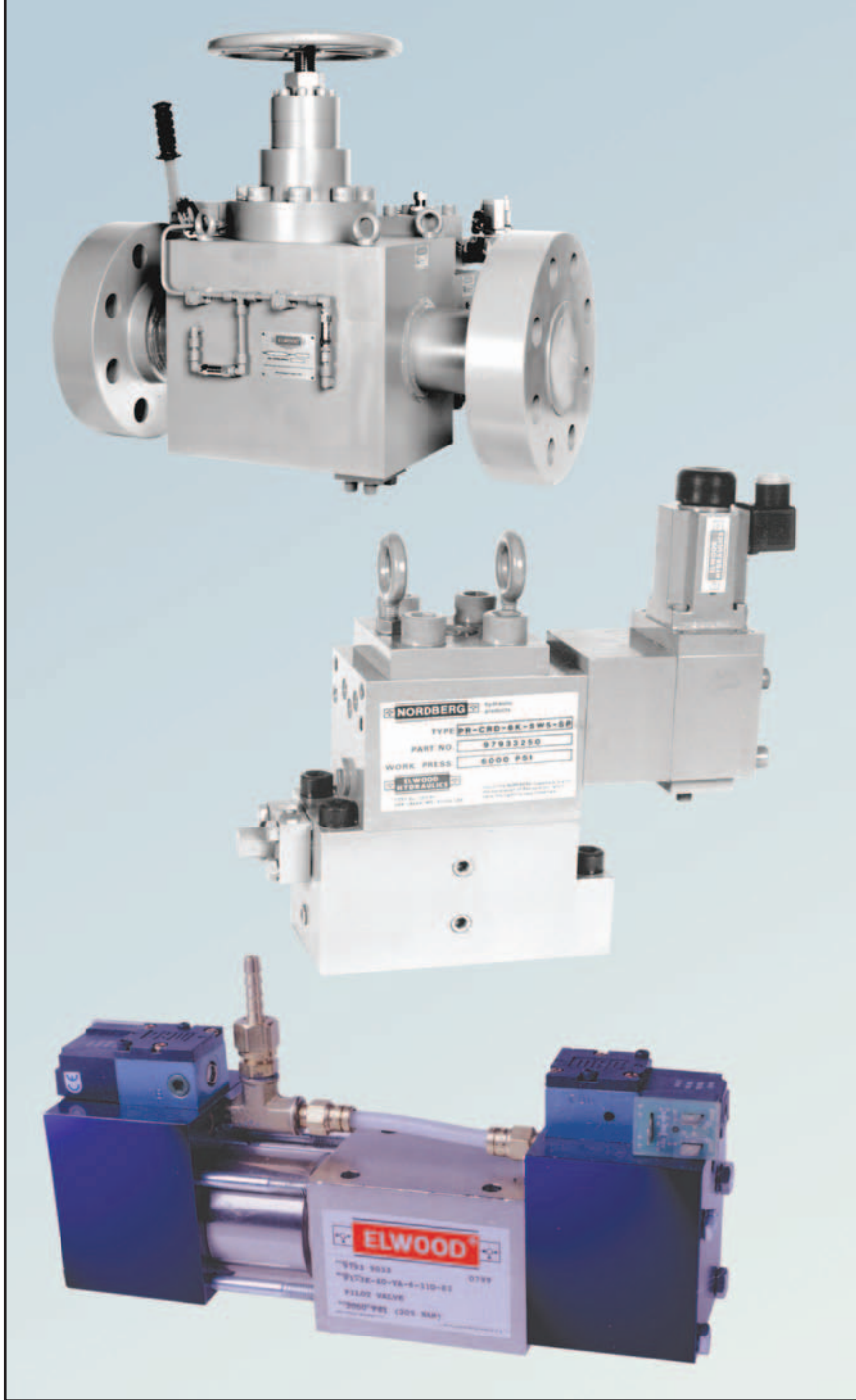


WATER HYDRAULIC COMPONENTS

www.elwood.com



ISO 9001:2000
CERTIFIED COMPANY

Packed Spool Pilot Valve

Brochure 82

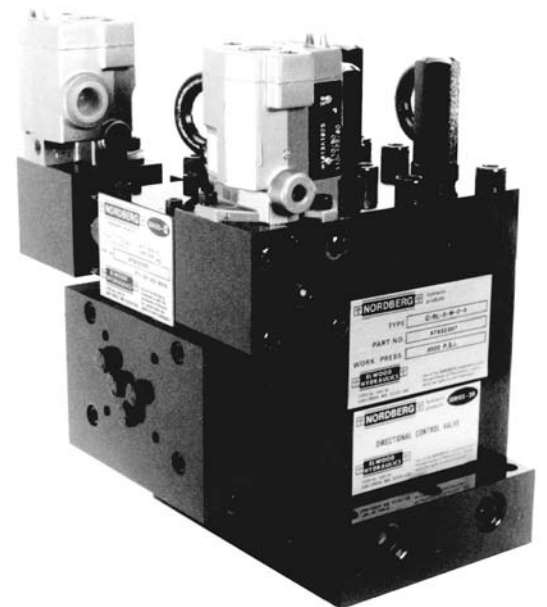
- Sizes Manifold Mount – DO5
- Capacities to 20 GPM (75 LPM)
- Working pressures to 6000 PSI (414 Bar)
- Designed to operate with low viscosity fluids and raw water
- Zero Leakage
- Stainless Steel Components
 - Excellent corrosion resistance
 - High reliability
 - Long-lasting performance
- Multiple Function Configurations
- Air/Electrical or Manually Operated



Directional Control Valves

Brochure 395

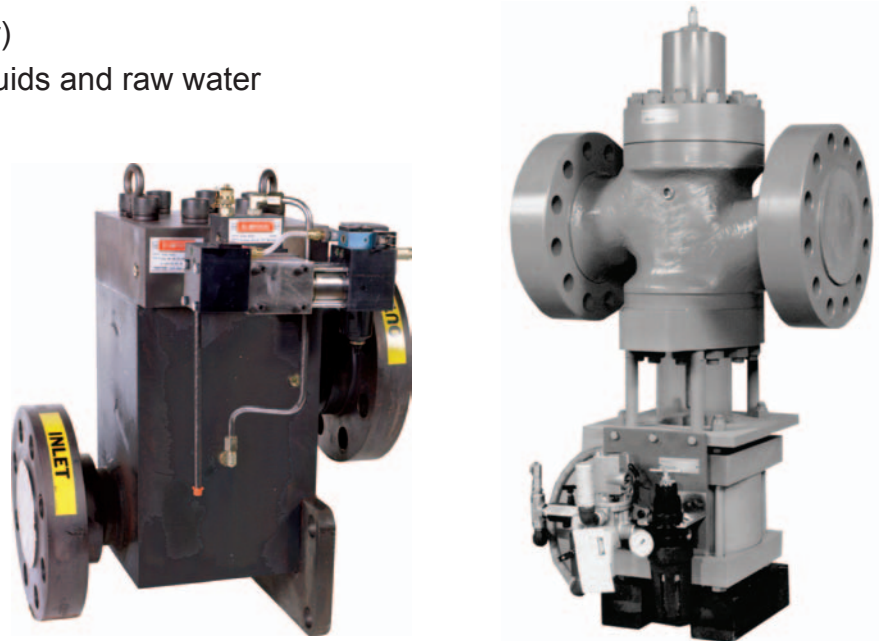
- Sizes DIN 16 through DIN80 Manifold Mount, or SAE Flange Connections
 - Available in 2-, 3- or 4-Way, with multiple function configurations
- Capacities to 6000 GPM (23000 LPM)
- Working pressures to 6000 PSI (414 Bar)
- Designed to operate with low viscosity fluids and raw water
- Removable Stainless Steel Cartridge Design
 - Serviceability
 - Excellent corrosion resistance
 - High reliability
 - Long-lasting performance
- Reversible Soft Composite Disc
- Fluid Flow Technology
 - V-Notch Fluid Flow
 - Shield Seat Design
 - Inverse Fluid Flow



Descal Valves – DIN or Spindle Style

- Sizes 2" through 10"
- Capacities to 6000 GPM (23000 LPM)
- Working pressures to 6000 PSI (414 Bar)
- Designed to operate with low viscosity fluids and raw water
- Removable Stainless Steel Internals
 - Excellent corrosion resistance
 - High reliability
 - Long-lasting performance
- Reversible Soft Composite Disc
- Fluid Flow Technology
 - V-Notch Fluid Flow
 - Shield Seat Design
 - Inverse Fluid Flow

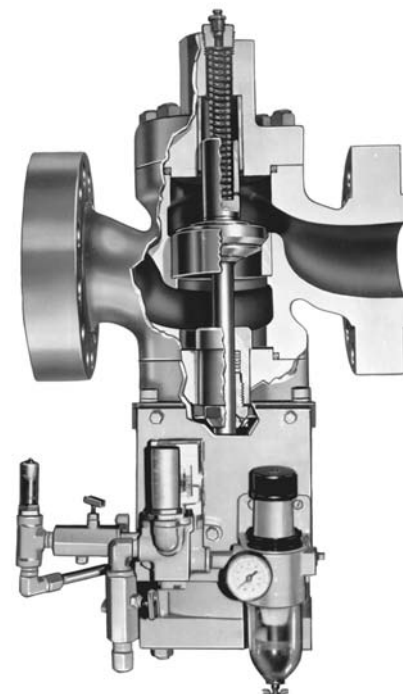
Brochure 2218 and 2219



Accumulator Shut-Off Valve

- Sizes 2" through 10"
- Capacities to 8000 GPM (30000 LPM)
- Working pressures to 6000 PSI (414 Bar)
- Designed to operate with low viscosity fluids and raw water
- Removable Stainless Steel Internals
 - Excellent corrosion resistance
 - High reliability and long-lasting performance
- Balanced Poppet Design
- Stainless Steel Spring-Assisted Design
 - Positive Sealing at low pressure filling operations
- Adjustable Pneumatic Flow
- One High-Pressure Static Seal
- Fluid Flow Technology
 - Shield Seat Design
 - Inverse Fluid Flow

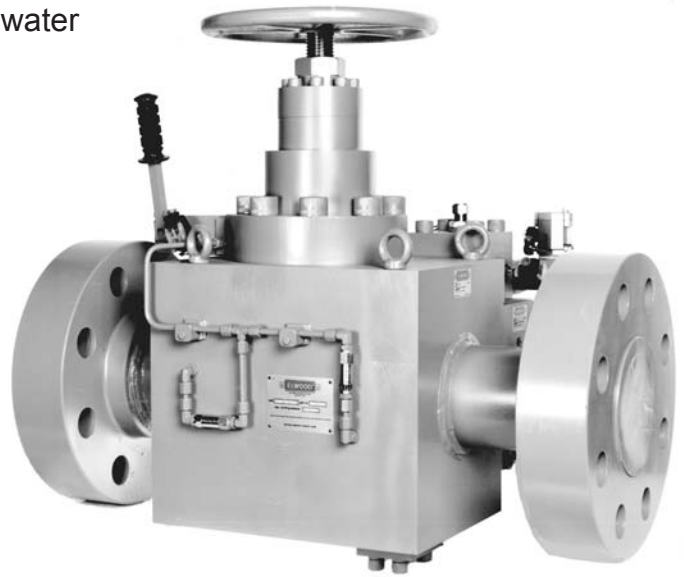
Brochure 102



Stop Valves

Brochure 396

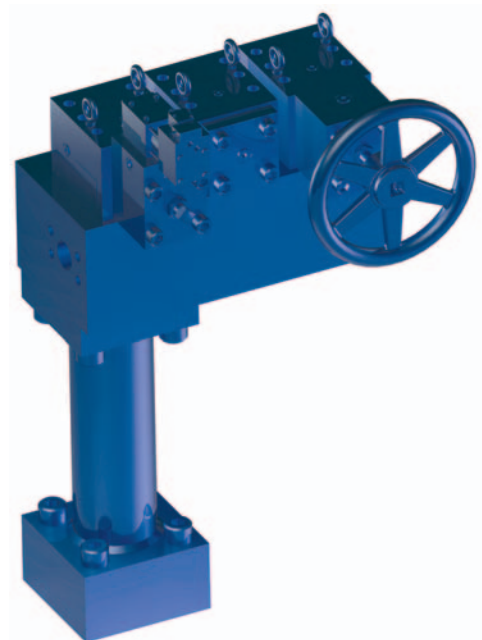
- Sizes 2" through 10"
- Capacities to 3400 GPM (13000 LPM)
- Working pressures to 6000 PSI (414 Bar)
- Designed to operate with low viscosity fluids and raw water
- Removable Stainless Steel Cartridge Design
 - Serviceability
 - Excellent corrosion resistance
 - High reliability
 - Long-lasting performance
- Manual or Hydraulically Operated Pilot
- Reversible Soft Composite Disc
- Fluid Flow Technology
 - Fluid Flow Control Ports
 - Shield Seat Design
 - Inverse Fluid Flow



Pump Unloading Systems

Brochure 2213

- Sizes Manifold mounted DIN 25 through 100
DIN 80 and 100 Modular Inline System
- Capacities to 2350 GPM (9000 LPM)
- Working pressures to 6000 PSI (414 Bar)
- Designed to operate with low viscosity fluids and raw water
- Removable Stainless Steel Cartridge Design
 - Serviceability
 - Excellent corrosion resistance
 - High reliability
 - Long-lasting performance
- Reversible Soft Composite Disc
- Removable Stainless Steel Orifice Assembly
- Fluid Flow Technology
 - V-Notch Fluid Flow
 - Shield Seat Design
 - Inverse Fluid Flow



Pressure Control Valves – Relief or Reducer

Brochure 500

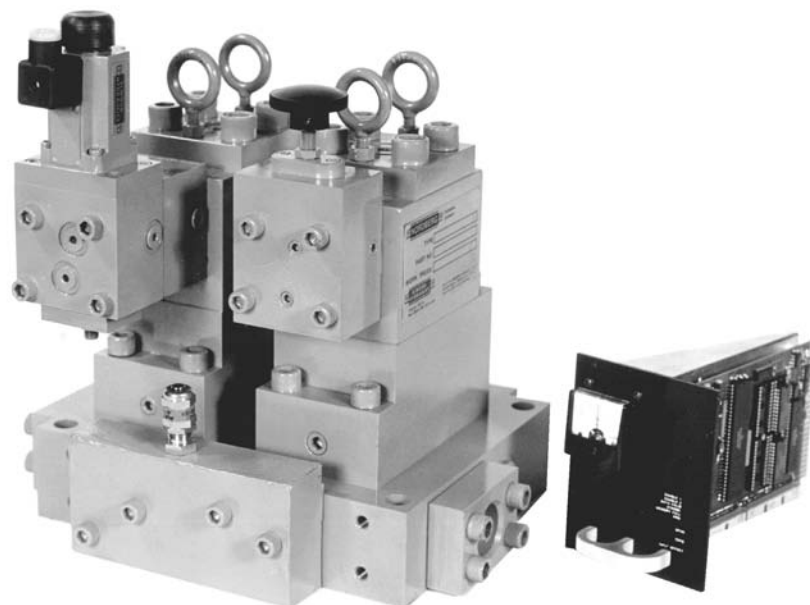
- Sizes Manifold Mount, or SAE Flange Connections
- Capacities to 1000 GPM (3800 LPM)
- Working pressures to 6000 PSI (414 Bar)
- Designed to operate with low viscosity fluids and raw water
- Removable Stainless Steel Internals
 - Excellent corrosion resistance
 - High reliability
 - Long-lasting performance
- Reversible Soft Composite Disc
- Fluid Flow Technology
 - V-Notch Fluid Flow
 - Shield Seat Design
 - Inverse Fluid Flow



Proportional Pressure Control Valves – Relief, Reducer or Dual

Brochure 104

- Sizes Manifold Mount, or SAE Flange Connections
- Capacities to 300 GPM (1140 LPM)
- Working pressures to 6000 PSI (414 Bar)
- Designed to operate with low viscosity fluids and raw water
- Removable Stainless Steel Internals
 - Excellent corrosion resistance
 - High reliability
 - Long-lasting performance
- Reversible Soft Composite Disc
- Fluid Flow Technology
 - V-Notch Fluid Flow
 - Shield Seat Design
 - Inverse Fluid Flow



ISO-LOCK Valve

Brochure 250

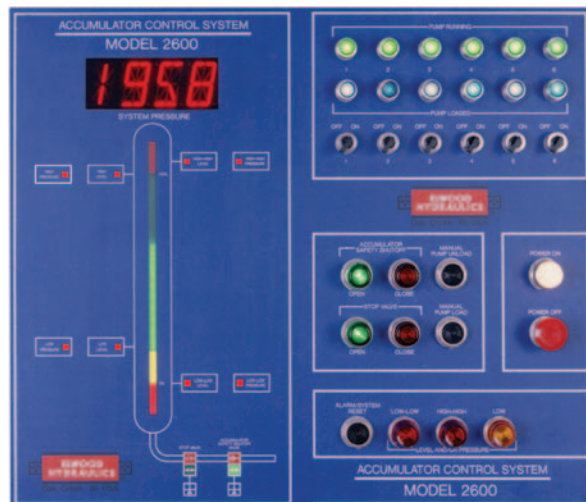
- Sizes Industry Standard Patterns NFPA/ANSI D03, D05, D08, C08, C09, RP10 & P06 Elwood Patterns
- Capacities to 350 GPM (1300 LPM)
- Working pressures to 6000 PSI (414 Bar)
- Provides positive isolation of ports
- Fast & easy installation
- Allows for system diagnostics
- OSHA compliant Lockout/Tagout System
- Designed to operate with low viscosity fluids, raw water & OIL



Accumulator Control System

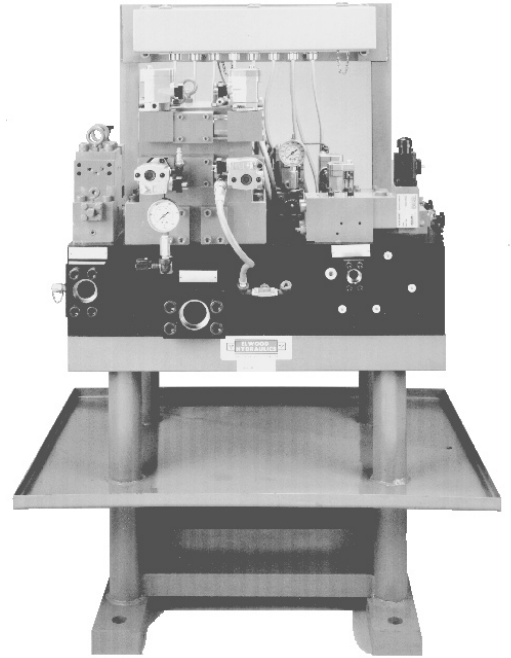
Brochures 105 & 380

- Microprocessor based, computer compatible
- Designed for efficient control of air or gas ballasted accumulators, including:
 - Level, pressure and ballast control
 - Pump Sequencing
 - Level and pump status indicators
 - Pressure indicators
 - Computer port
 - Chart recorder output
 - Pump-enable switches
 - Shut-off control
 - Stop valve control



Valve Stands, Manifolds and Systems

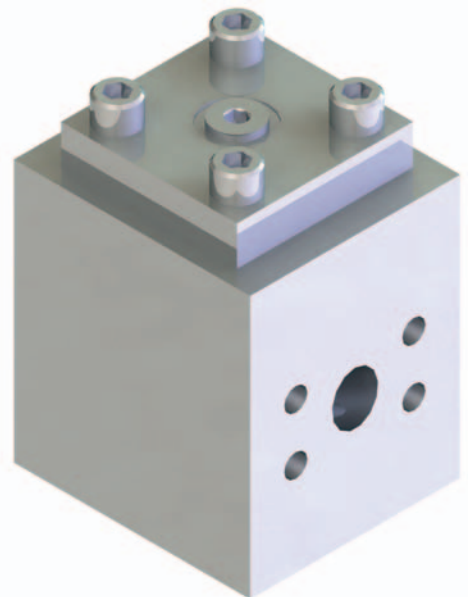
- Customized control valve packages including valve stand and forged steel manifold with SAE flange connections, wiring and common air line to all pilots
- Designed to meet customer circuit requirements
- Optional modular isolation valves for reduced maintenance time
- Integrate Elwood valves and customized electronic controls with non-Elwood components for single source convenience



Check Valves

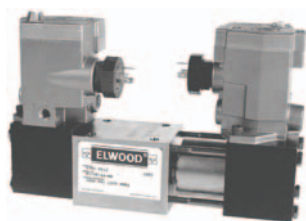
- Sizes 2" through 10"
Manifold Mount, ASTM or SAE Flange Connections
- Capacities to 8000 GPM (30000 LPM)
- Working pressures to 6000 PSI (414 Bar)
- Designed to operate with low viscosity fluids and raw water
- Removable Stainless Steel Cartridge Design
 - Excellent corrosion resistance
 - High reliability
 - Long-lasting performance
- Soft or Hard Seat Plungers
- Multiple Cracking Pressure Configurations
- Fluid Flow Technology
 - V-Notch Fluid Flow
 - Shield Seat Design
 - Inverse Fluid Flow

Brochure 200



Packed Spool Directional Control Valves

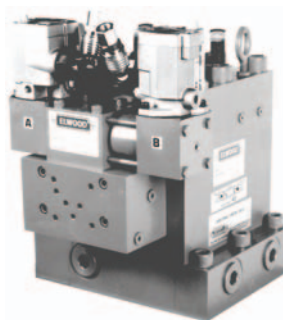
- Directional Valve for a range of applications
- Up to 46 GPM (32 GPM nominal)
- 3000 PSI (207 bar) and 6000 PSI (414 bar)



- Air Solenoid Operated
- 3-position spring centered
- 2-position spring offset
- 2-position momentary contact

Brochure 82

Poppet Type Directional Control Valves



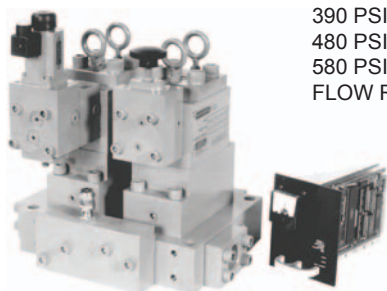
- Capacities to 1600 GPM (6057 LPM)
- 3000 PSI (207 bar), 4500 PSI (310 bar) and 6000 PSI (414 bar) models are available
- Built-in flow control
- Manifold mounted, NPT, socket weld or flanged

Brochure 395

Proportional Pressure Control System

Controlled Pressure Ranges:

390 PSI (27 bar) to 1500 PSI (103 bar)
 480 PSI (33 bar) to 3000 PSI (207 bar)
 580 PSI (40 bar) to 6000 PSI (414 bar)
 FLOW RATE: To 1000 GPM (3785 LPM)



Brochure 104

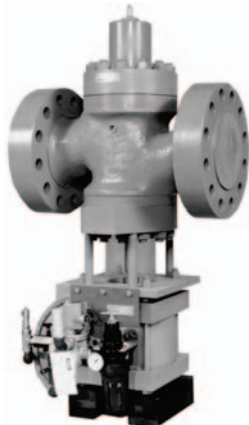
Modular ISO-Lock

- Isolates manifold mounted directional control valves
- Reduces maintenance time - replace Directional Valves without depressurizing and draining hydraulic system.
- Single lever operation to close all four ports (P, T, A, B). Cylinders can remain under the external load without having to be blocked.
- Lockable per OSHA safety standard
- NFPA "DO"/CETOP and special mounting patterns available



Brochure 250

Descaling & Pump Unloading Valves



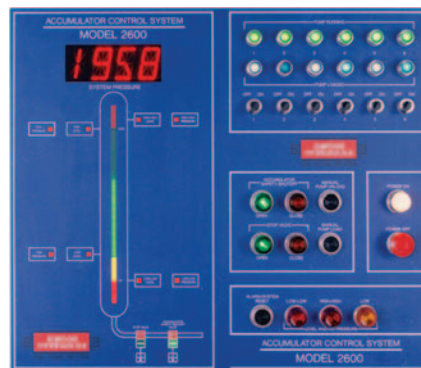
Capacities:

3000 PSI (207 bar)
 6000 PSI (414 bar)
 6000 GPM (22710 LPM)

Connection Sizes: 1-1/4" to 10"

Descaling Valves - Spindle – Brochure 2218
 DIN – Brochure 2219
 Pump Unloading – Brochure 2213

Accumulator Systems



- Descaling
- Mill Systems
- Presses
- Controls
 - Level
 - Pressure
 - Pump Sequencing
 - Ballast Charging
- Designed to your specifications

Brochures 105, 380 & 102



ELWOOD CORPORATION

195 West Ryan Road • Oak Creek, Wisconsin 53154 • USA

Phone: 800-527-7500 • Fax: 414-764-4298

www.elwood.com

4/07 - Brochure 100

Rev. A