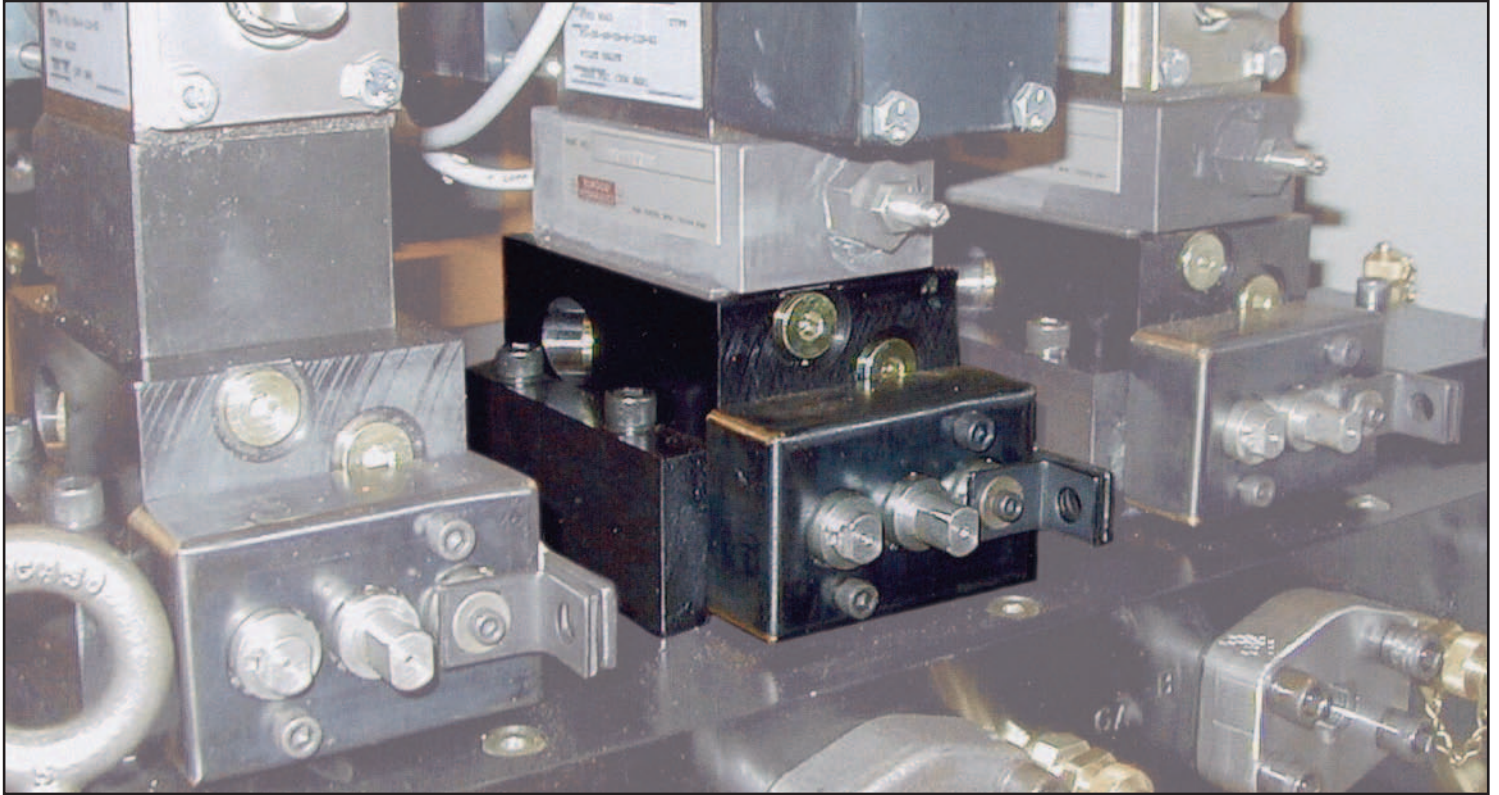


# ISO-LOCK

www.elwood.com



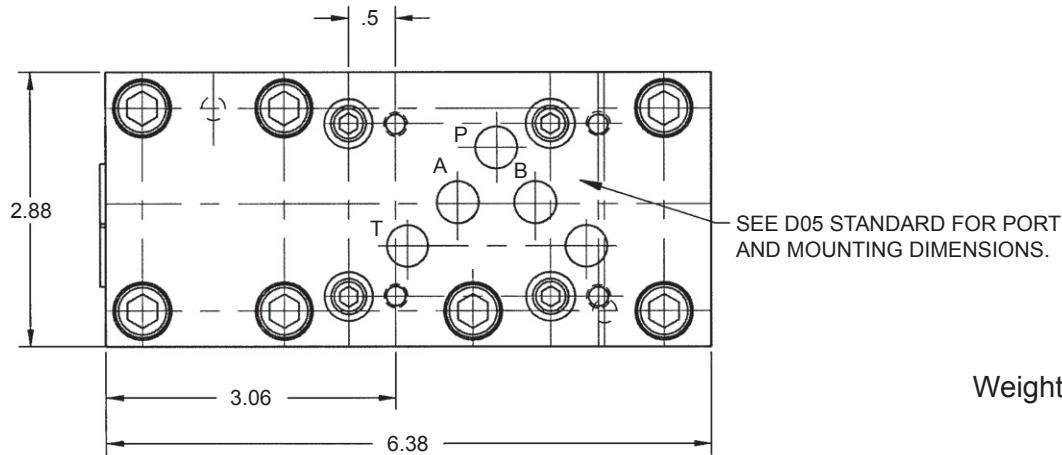
## ISO-LOCK



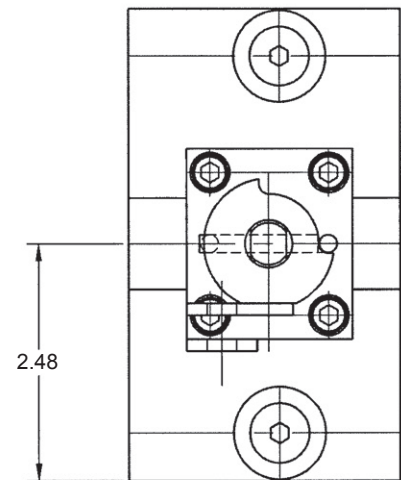
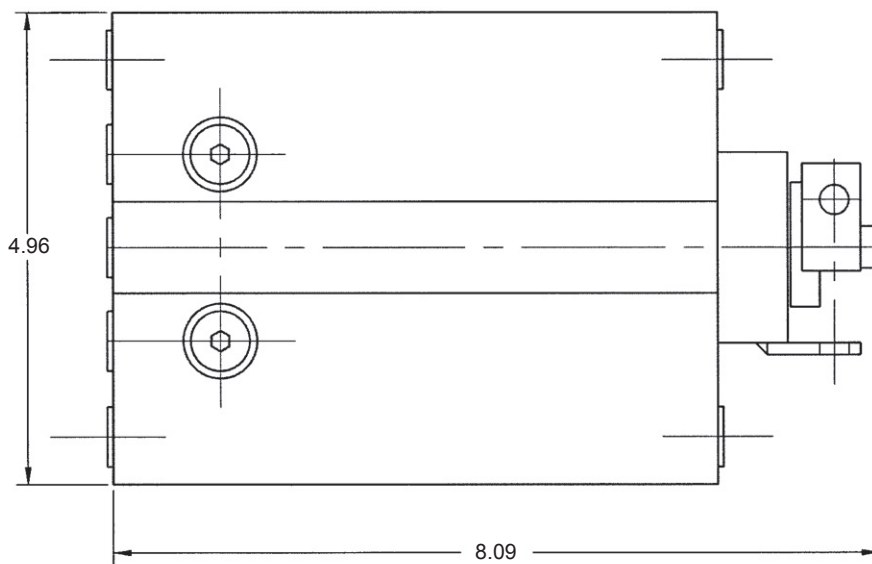
### **ISO-LOCK Benefits & Features:**

- Reduces maintenance downtime and costs
- Permits easier troubleshooting of circuits
- Hydraulic fluid does not have to be drained from system, up or downstream
- Compatible with Water, Water Base Fluids and Mineral Oil Fluids
- Positive Isolation and Lockout of P, T, A & B ports
- 6000 PSI pressure rating
- Bolts independently of directional control valve
- Can be easily added to existing circuits - sandwich mounted
- OSHA compliance - Hasp for safety lockout

# D05



Weight = 18 lbs.



## NOTES:

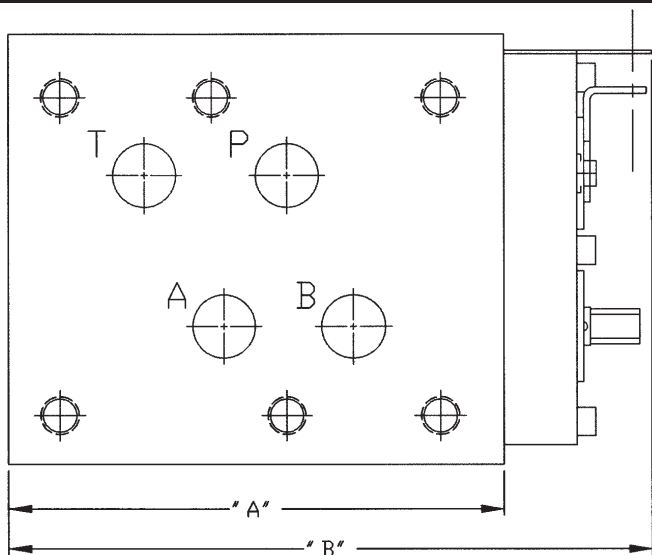
1. Available in carbon steel, stainless steel and carbon steel with Elwood Black-T\* surface corrosion protection
2. Carbon steel model has black oxide finish, Stainless steel and Black-T models are not painted
3. ISO to Elwood interface included

\*Elwood Black-T surface treatment is as good as 18-8 stainless steel against salt solution spray. Corrosion resistance according to ASTM B117, which is a salt spray test, shows that it is significantly better than chrome and electroless nickel.

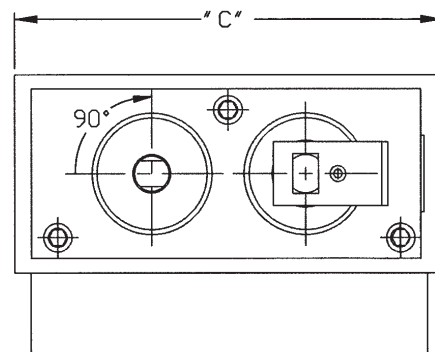
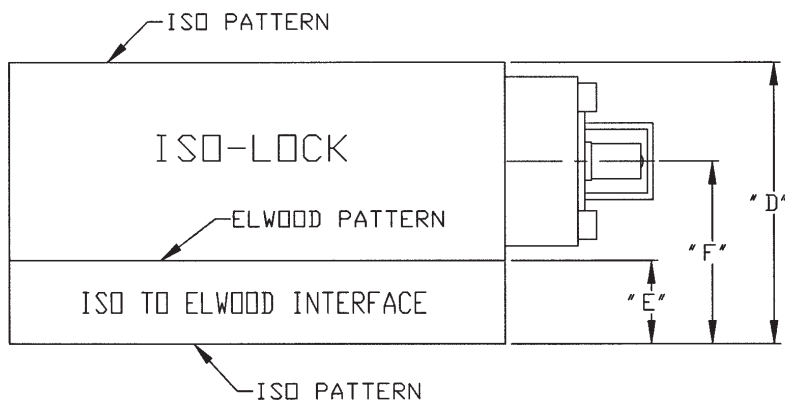
It should be noted that other water characteristics also have an affect on the surface, and it will have reduced protection level when sulphur-reducing and iron-reducing bacteria exists.

ISO-LOCK permits the removal of the directional control valve without bleeding the P, T, A & B port lines. If work is to be performed on any of the port lines, pressure must be bled from the line beforehand.

# D08 & D10



	"A"	"B"	"C"	"D"	"E"	"F"	WEIGHT
D08	7.13	10.08	5.50	4.87	1.38	2.79	51 LBS.
D10	9.75	12.69	8.46	5.50	1.63	3.56	114 LBS.



## ORDERING MODEL CODE

ISO - \_\_\_\_\_ - 6K - \_\_\_\_\_

<sup>1</sup>D05  
D08  
D10

\*D08/E  
\*D10/E

BO - Standard Carbon Steel with Black Oxide Finish  
BT - Black-T  
SS - Stainless Steel

## MOUNTING KITS INCLUDED

(includes seals & bolts)

1 - Available in 3K and 6K. \*Elwood pattern, ISO to Elwood interface not supplied.