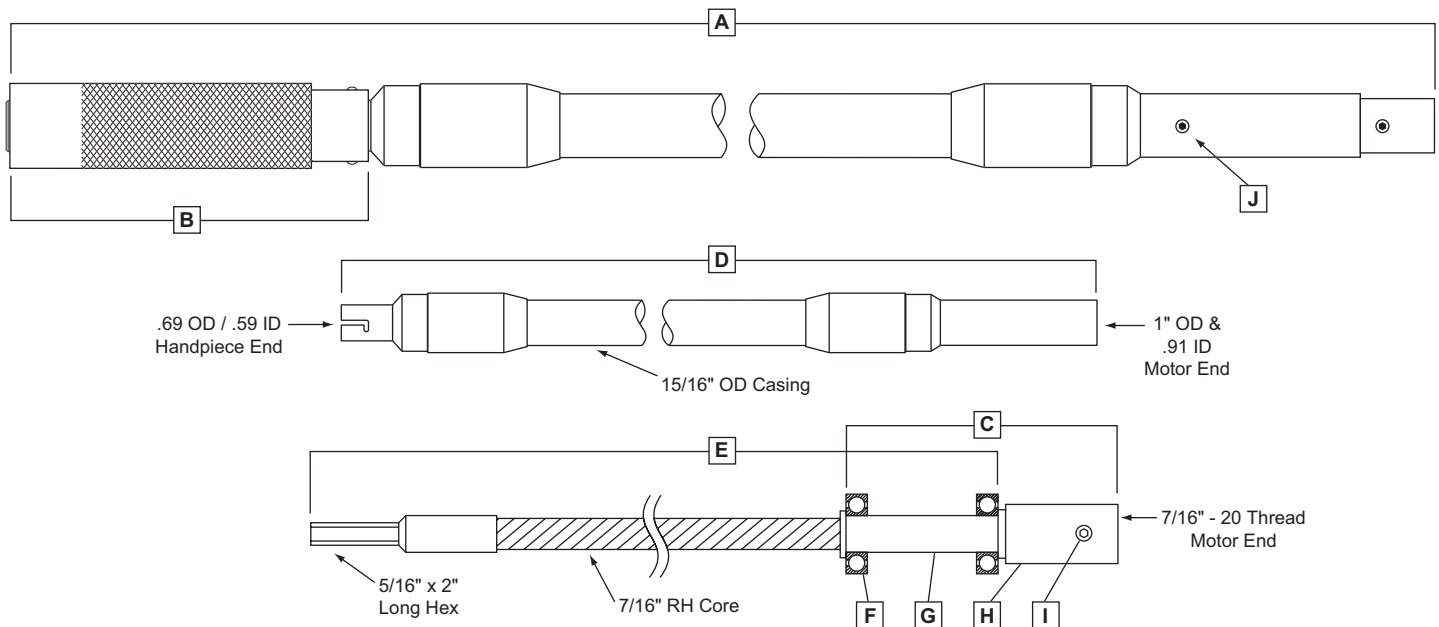


No. 1 - Industrial Flex Shaft

Used For: Light Duty Grinding, Sanding,
Wire Brushing, Polishing, etc.



Item "A" #481-024 — Assembly, Industrial Flex Shaft; 1/2" Diameter (5 ft. long)

Item	EPN	Description
B	552-510	Assembly, Handpiece (Spindle is 9/16" - 18" Thread)
C	342-455	Assembly, Ball Bearing Coupling; 1/2" Size (Includes F, G, I and 1/2" H items above)
D	211-025	Casing, Flexible Shaft (Overall Length is 57")
E	321-025	Core, Flexible Shaft, 3/8" Dia; 5/15" Hex; 7/16" - 20" Thread (Overall Length 58-3/8")
F	091-051	Ball Bearings (Two Required)
G	782-450	Spacer
H	342-041	Motor Coupling, 1/2" I.D. Size
I	434-030	Set Screw, Socket Head; 5/16" - 18" x 1/4"
J	434-030	Screw, Pan Head Slotted; #4 x 3/16"

Item "A" #481-025 — Assembly, Industrial Flex Shaft; 5/8" Diameter (5 ft. long)

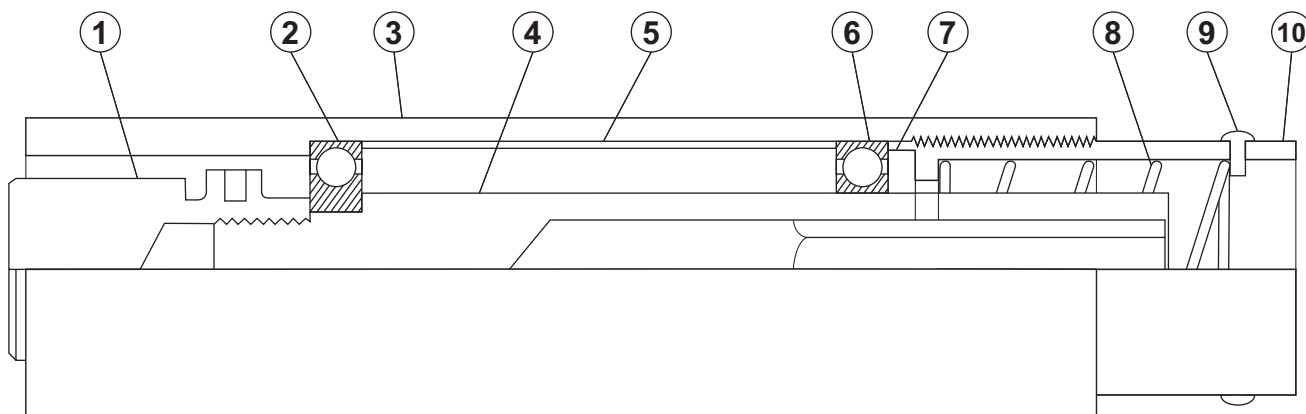
Item	EPN	Description
B	552-510	Assembly, Handpiece (Spindle is 9/16" - 18" Thread)
C	342-458	Assembly, Ball Bearing Coupling; 5/8" Size (Includes F, G, I and 5/8" H items above)
D	211-025	Casing, Flexible Shaft (Overall Length is 57")
E	321-025	Core, Flexible Shaft, 3/8" Dia; 5/15" Hex; 7/16" - 20" Thread (Overall Length 58-3/8")
F	091-051	Ball Bearings (Two Required)
G	782-450	Spacer
H	342-048	Motor Coupling, 5/8" I.D. Size
I	434-030	Set Screw, Socket Head; 5/16" - 18" x 1/4"
J	434-030	Screw, Pan Head Slotted; #4 x 3/16"

For a detail drawing of item "B", see other side of page.

No. 1 - Industrial Flex Shaft

Used For: Light Duty Grinding, Sanding,
Wire Brushing, Polishing, etc.

No. 251-N HANDPIECE



PARTS LIST

Item	EPN	Qty.	Description
1	792-031	1	Spindle
2	091-031	1	Bearing, Ball
3	762-512	1	Sleeve, Handpiece; 251-N
4	382-429	1	Driver, Hex
5	782-280	1	Spacer, 251-N Handpiece

Item	EPN	Qty.	Description
6	091-051	1	Bearing, Ball
7	743-565	1	Washer, Flat
8	802-216	1	Spring, Compression
9	434-217	2	Screw, Drive
10	762-218	1	Socket, Quick Change

Specifications Subject to Change Without Prior Notice