

Heavy Duty Electric Plate Scrubber

• **Saves Time and Hard Work**

For engravers, plate makers, printed circuit shops, electrotypers, and other graphic arts workers. Why use a hand brush? The Elwood-Wyco Plate Scrubber does a better job in less time and eliminates tedious hand work.

SPECIFICATIONS

Motor: 1/4 hp, 115-volt, AC, 1-phase, 60 cycle, 1725 rpm motor is mounted on a combination bench and suspension base. Motor pull switch is connected to the shaft hook—shuts off automatically when shaft is placed on the hook. Constant speed motor with 8 foot, 3-wire cord and safety plug.

Flexible Shaft: Power from the motor is transmitted to the handpiece through the flexible shaft. The flexible shaft is insulated from the motor; safe from electrical shock.

Core and Casing: Length 5 ft., Core No. C-10 (321-015), Casing No. K-01 (211-025).

Handpiece: Catalog No. 250-S Elwood-Wyco Geared Handpiece—slow speed for wet scrubbing—has an auxiliary handle for ease in handling. The snap-on spindle of this handpiece permits instant changing of nylon or brass bristle brushes. The handpiece is attached to the flexible shaft with an exclusive Elwood-Wyco Quick-Change coupling — permitting instant removal or attaching to the shaft.

Pull-Switch with insulated cord for added safety.

Support hook is detachable for bench operation.

Heavy Duty Plate Scrubber Complete

Catalog No. PS-01: Elwood-Wyco Plate Scrubber (pictured); complete with flexible shaft, core and casing, 5 ft. No. 250-S Slow Speed Handpiece (pictured), and No. 315-P Snap-on Arbor. Brushed not included.

Catalog No. 250-S (552-505): Elwood-Wyco slow-speed "Quick Change" handpiece geared to 575 rpm — just right for wet scrubbing.

Catalog No. NB-5: Elwood-Wyco Nylon Brush (not shown) 5" diameter. For use with Magnesium or Zinc plates.

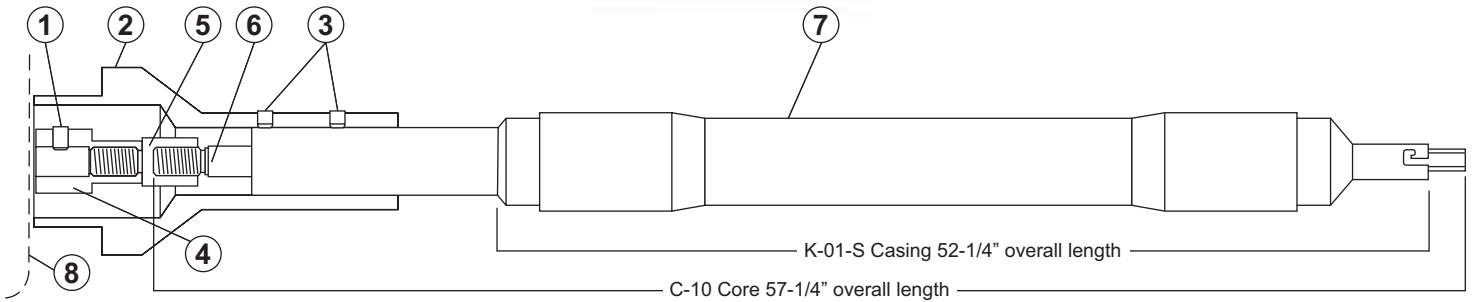
Catalog No. BB-5: Brass Bristle Brush (not shown) 5" diameter. For use on copper plates.

Catalog No. 315-P (023-150): Elwood-Wyco snap-on Arbor for fastening brushes to slow-speed handpiece (Cat. No. 250-S).

Prices and specifications subject to change without prior notice.

Hang it anywhere.
PS-01 weighs 25 lbs.
(Less brush).

Maintenance Instructions

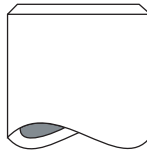


Item No.	Part No.	Qty.	Part Name
1	434-030	1	5/16" - 18 thread x 1/4" set screw
2	34-4150	1	Shaft Support
3	434-013	2	1/4" x 28 thread x 1/4" set screw
4	34-2050	1	Motor Coupling

Item No.	Part No.	Qty.	Part Name
5	02-2240	1	Insulating Coupling
6	321-015	1	Core-Flexible Shaft (3/8" diameter)
7	211-025	1	Casing-Flexible Shaft
8	41-0101	1	Motor (not shown)

General Information

These Elwood-Wyco flexible shaft machines are designed for use in cleaning electrotype plate machines, rather than by hand. As the brushes are used with water and cleaning agents, the motor is insulated from the flexible shaft, thus ensuring against electrical shock. The spindle end of the handpiece is sealed against water entering. However, it is not designed for use submerged in water. **Caution:** the flexible shaft end of the handpiece is not sealed and water entering here will damage the unit.

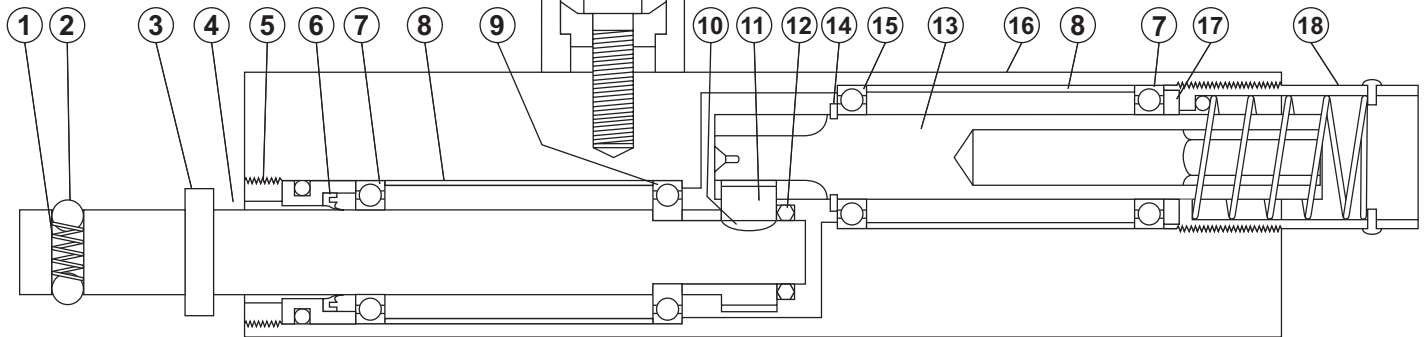


Maintenance and Lubrication

Handpiece: This handpiece has a gear reduction so that the speed is approximately 575 rpm. At the end of each working day, or when the machine is to be left idle for period of time, remove the handpiece from the shaft and clean thoroughly with an air hose. Then lubricate parts with fine machine oil. Also, lubricate the open end of the handpiece and the hexagon core end of the flexible shaft. The ball bearings in the handpiece are self-lubricating and require no further lubrication. The gears need fresh lubricant about every 90 days of operation.

Flexible Shaft: Lubricate shaft after every 40 hours of service

Motor: See manufacturer's instructions on motor housing.



Item No.	Part No.	Qty.	Part Name
1	80-2201	1	Compression Spring
2	09-2202	2	Steel Balls
3	43-3203	1	Steel Pin
4	79-2204	1	Spindle
5	70-2100	1	Lock Ring
6	74-2207	1	Seal Holder Assembly
7	09-1051	2	Ball Bearings
8	78-2208	2	Bearing Spacers
9	09-1031	1	Ball Bearing
10	61-2210	1	Woodruff Key

Item No.	Part No.	Qty.	Part Name
11	50-2211	1	Gear
12	43-2212	1	Hex Nut
13	79-2213	1	Pinion Gear Spindle
14	70-2214	1	Tru-Arc Ring
15	09-1040	1	Ball Bearing (BRO-6)
16	58-2215	1	Housing
17	74-3565	1	Felt Washer
18	34-2218	1	Quick-Change Assembly
19	54-1162	1	Handle